

Shelly Outdoor Plug S Gen3



Device identification

- Device name: **Shelly Outdoor Plug S Gen3**
- Device model: **S3PL-20112EU**
- Device SSID: **ShellyOutdoorSG3-XXXXXXXXXXXX**
- BLE ID: **0x1853**

Short description

Shelly Outdoor Plug S Gen3 is one of the first of Shelly devices that is designed to be used outside and comes with Matter support.

Shelly Outdoor Plug S Gen3 (The Device) is a smart plug/outlet with power measurement and overheating protection, which allows remote control of electric appliances through a mobile phone, tablet, PC, or home automation system. It can work standalone in a local Wi-Fi network or it can also be operated through cloud home automation services.

Shelly Outdoor Plug S Gen3 can be accessed, set up and monitored remotely from any place where the User has internet connectivity, as long as the device is connected to a Wi-Fi router and the Internet.

The Device has an embedded Web Interface which can be used to monitor and control the device, as well as adjust its settings.

Main features

- IP44 protection
- Matter support
- Next-generation Wi-Fi smart plug with multicolor LED indication

- Scripting (only supported when Matter is not enabled)
- Wi-Fi range extender
- BLE gateway
- Power metering(in Shelly Smart Control app)
- Schedules
- Wide compatibility with 3rd party home automation systems
- Local actions
- Shelly Cloud/Shelly Smart Control app support (optional)
- Virtual Components

Use cases

- **Garden Automation:**
Automate garden light strips, electric grills, electric stoves or other appliances in the garden to manage their work and consumption to be sure no energy goes to waste.
- **Use seamlessly and integrate together with other Matter devices**
- **Use with Apple devices (via Matter)**
- **Use it as color night light:**
Night mode with custom settings
When switched on, the Night mode reduces the brightness of the LED indication of your Shelly Outdoor Plug Gen3 during the night hours so that you can have undisturbed night sleep.
- **No more forgotten appliances on:**
Monitor and control all plugged-in appliances easily with just a few clicks on your phone. Thanks to its integrated countdown timer and locally stored schedules, Shelly Outdoor Plug Gen3 can automatically switch off any forgotten device after an hour to save energy.
Example: Iron, smaller ovens, heating electrical radiators
- **Avoid energy waste by automating your electrical appliances:**
Automate appliances in the office that are not used at night or over the weekend by simply adding Shelly Plug S Gen3. Now, you can set smart schedules that will turn off the power to all unused electrical appliances between 7:00 PM and 7:00 AM during the weekdays and between 7:00 PM on Friday and 7:00 AM on Monday. That way, you will cut the energy consumption of these devices in half, which will result in significant optimization of the monthly energy cost.
Example: Using schedules, automate smaller ovens, heating electrical radiators, IR heaters
- **Air purifier that follows the air conditions:**
If you are living in a big city, the air can get pretty polluted, especially during the fall and winter seasons. Thanks to Shelly Outdoor Plug Gen3 scripting functionalities, you can extract data straight from the air pollution control and set your old air purifier at home to turn on when the air pollution levels outside increase.
Example: Using scripting you can automate an Air purifier appliance and turn it on/off based on 3rd party data.
- **Mildly dimmed night light for children's comfort:**
You can now set the color and the level of glow for your Shelly Outdoor Plug Gen3 LED indication and use it as subtle light for the kids' room at night.

Main applications

- Residential
- MDU (Multi Dwelling Units - apartments, condominiums, hotels, etc.)...
- Light commercial (small office buildings, small retail/restaurant/gas station, etc.)...
- Government/municipal

- University/college
- Farming
- Garden/yard

Integrations

Amazon Alexa supported capabilities

Yes

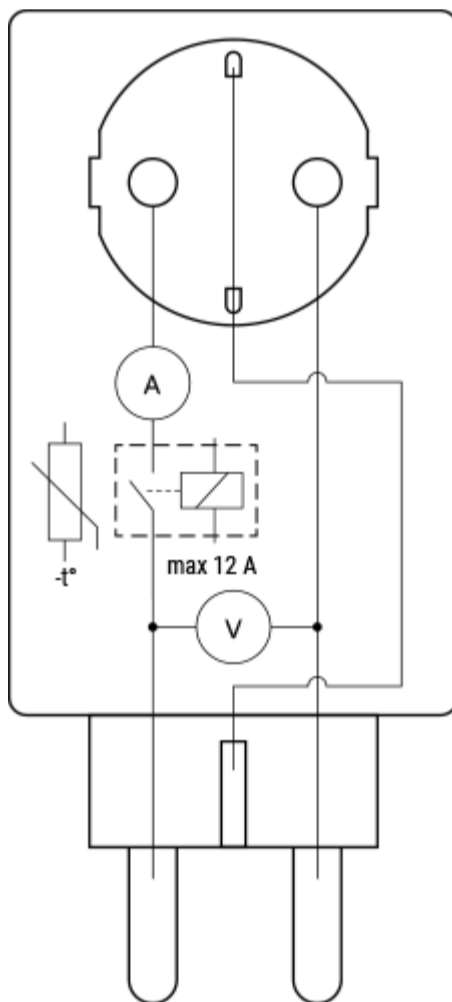
Google Smart Home supported traits

Yes

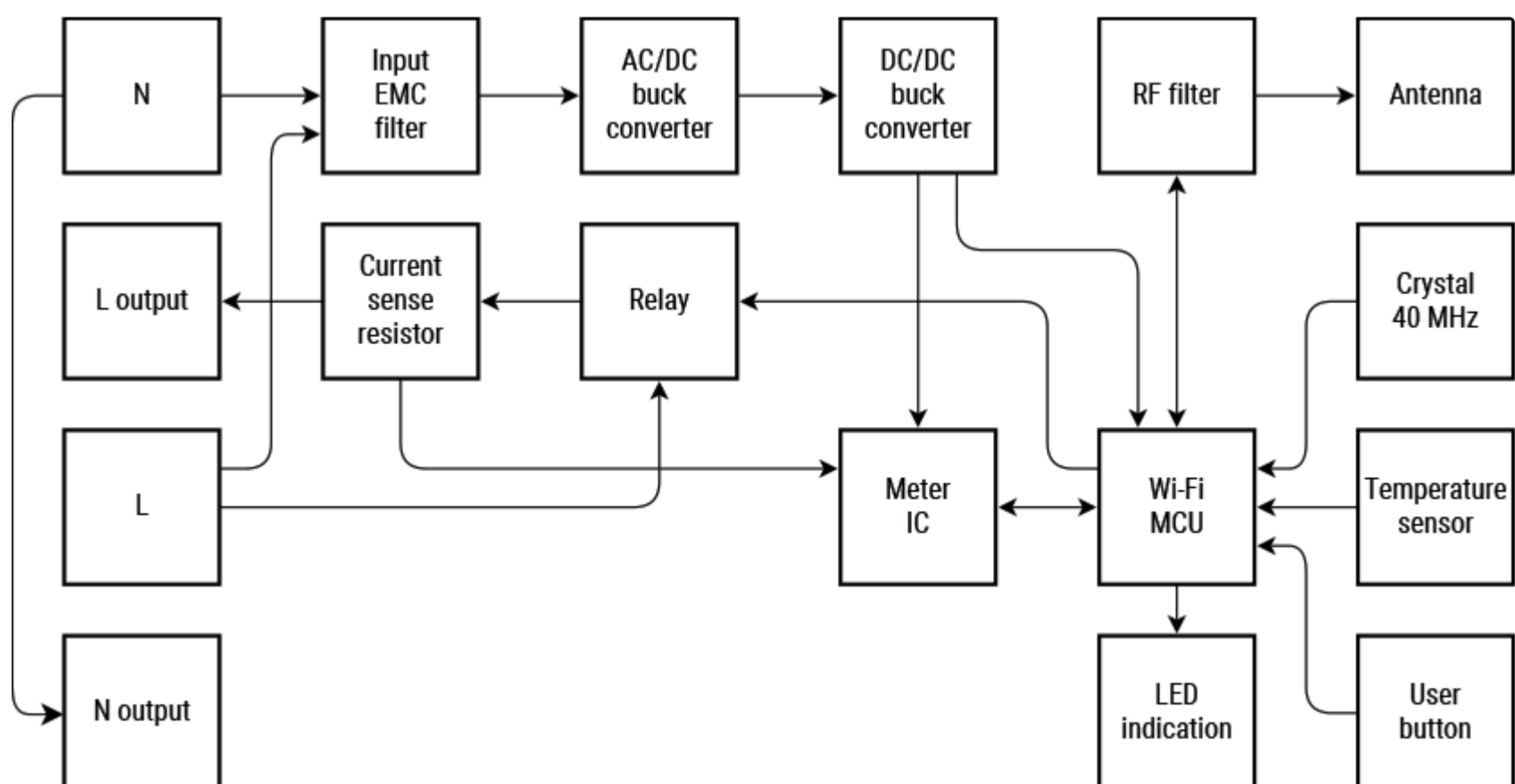
Samsung SmartThings supported capabilities

Yes

Simplified internal schematics



Simplified hardware architecture



Device electrical interfaces

Input

- 1 CEE 7/7 plug

Output

- 1 CEE 7/3 (Type-F / Schuko) socket

Connectivity

- Wi-Fi
- Bluetooth

Safety functions

- Overheating protection
- Overvoltage protection
- Overcurrent protection
- Overpower protection

Supported load types

- Resistive (incandescent bulbs, heating devices)
- Capacitive (capacitor banks, electronic equipment, motor start capacitors)
- Inductive (LED light drivers, transformers, fans, refrigerators, air-conditioners)

User interface

Inputs

- One push button
 - Press to turn the output On/Off.
 - Press and hold for 3 sec to check status (Possible only when the output in Off).
 - Press and hold for 5 sec to reboot (Possible up to 60 sec after plugging in in the Device).
 - Press and hold for 10 sec to factory reset (Possible up to 60 sec after plugging in in the Device).

Outputs

- LED indication
 - When plugged for the first time:
 - Blue light flashing, indicating AP mode.

- When plugged/powerd again after being successfully connected to a Wi-Fi network:
 - Red light flashing slowly, indicating the the Device is reconnecting to the Wi-Fi network.
 - Constant red light, indicating that the Device cannot reconnect to the Wi-Fi network.
- When output is On:
 - Power consumption represented by a smooth color change (Default):
 - Green light at 0% of power limit set
 - Yellow light at 50% of power limit set
 - Red light at 100% of power limit set

User can select the brightness (Default brightness - 100%).

 - Custom color (Default color - Green, Default brightness - 100%)
 - Off
- When output is Off:
 - Off (Default):
 - Custom color (Default color - Red, Default brightness - 100%)
- When OTA update is in progress:
 - Red light flashing

Specifications



Quantity	Value
Physical	
Size (HxWxD):	56x56x103 ±0.5 mm / 2.21x2.21x4.55 ±0.02 in
Weight:	85 ±1 g / 3 ±0.04 oz
Compatible sockets:	CEE 7/1, CEE 7/3 (Type F / Schuko) or CEE 7/5 (Type E)
Compatible plugs:	CEE 7/2, CEE 7/4 (Type F / Schuko), CEE 7/7, CEE 7/16 (Type C) or CEE 7/17
Shell material:	Plastic with Silicone Ruber Protective Cover for the Outlet
Color:	Mocha
Environmental	
Ambient temperature:	-25°C to 51°C / -13°F to 125°F
Humidity	15% to 85% RH
Max. altitude	2000m / 6562 ft
Glow-wire temperature:	750°C

Ingress Protection:	IP44
Required forced cooling:	No
Electrical	
Power supply:	230 V~ 50/60 Hz
Power consumption:	< 1 W
Rated impulse-withstand voltage:	2500 V
Output circuits ratings	
Max. switching voltage:	230 V~
Max. switching current:	12 A
Max. output power:	2500 W (resistive load only)
Number of switching cycles:	10000
Overvoltage category:	II
Duty-type:	S1
Switch type:	One-way
Switch configuration:	SPNO (single-pole, normally-open)
Type of circuit disconnection:	Micro
Sensors, meters	
Internal-temperature sensor:	Yes
Voltmeter (AC):	Yes
Ammeter (AC):	Yes
Power and energy meters:	Yes
Radio	
Wi-Fi	
Protocol:	802.11 b/g/n
RF band:	2401-2473 MHz
Max. RF power:	<10 dBm
Wi-Fi Range:	
Bluetooth	

Protocol:	4.2
RF band:	2402 - 2480 MHz
Max. RF power:	
Range:	Up to 30 m / 98 ft outdoors, up to 10 m / 33 ft indoors (depending on local conditions)
Microcontroller unit	
CPU:	ESP-Shelly-C38F
Flash:	8 MB
Firmware capabilities	
Webhooks (URL actions):	20 with 5 URLs per hook
Scripting:	Yes
MQTT:	Yes
CoAP:	No

Shelly Smart Control

- [Adding the device to the Shelly Smart Control](#)

Shelly Web user interface

- [Shelly Plug S Gen3 Web user interface guide](#)

Troubleshooting

...

Components and APIs

- [This device](#)
- [All Shelly devices and services](#)

Compliance

- [Shelly Outdoor Plug S Gen3 multilingual EU declaration of conformity 244 2025-12-05.pdf](#)

Compliance archive

